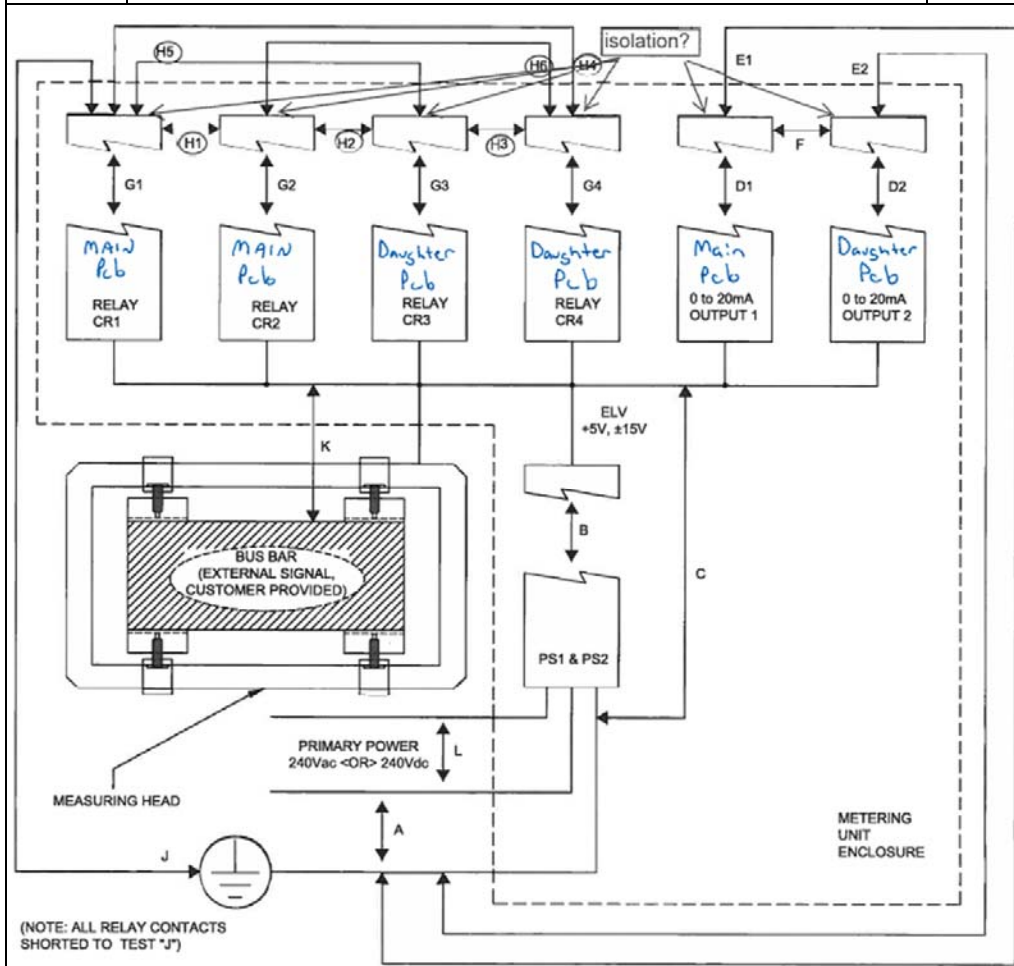


IEC 61010-1			
Clause	Requirement – Test	Result – Remark	Verdict

6.7 **TABLE: Insulation requirements- Block diagram of system** **Form A.14** **P**



Pollution degree: 2			Overvoltage category: II				
Area	Location	Insulation type	WORKING VOLTAGE			Test voltage	Comments (NOTE 3)
		(NOTE 1)	RMS [V]	Peak [V]	Frequency [Hz]	(NOTE 2) [V]	
A	Primary to PE	BI	240AC 264DC	339	60 DC	1500VAC	

IEC 61010-1			
Clause	Requirement – Test	Result – Remark	Verdict

6.8	TABLE: Dielectric strength tests		Form A.18	P		
4.4.4.1 b)	Conformity after application of SINGLE FAULT CONDITIONS ¹			P		
6.4	Primary means of protection ²			P		
6.6	Connections to external circuits			P		
6.7.	Insulation requirements ² (see Annex K)			N/A		
6.10.2	Fitting of non-detachable MAINS supply cords ¹			N/A		
9.2 a) 2)	Eliminating or reducing the sources of ignition within the equipment			N/A		
9.4 c)	Limited-energy circuit			N/A		
9.6.1	Overcurrent protection basic insulation between MAINS - parts			P		
	Test site altitude.....:		178m	—		
	Test voltage correction factor (see table 10).....:		0	—		
Location or references from Forms A.1 and A.14	Clause or sub-clause	Humidity Yes/No	Working voltage V	Test voltage r.m.s./peak/ d.c.	Comments (NOTE)	Verdict
A	--	Yes	240VAC 264VDC	1500RMS		P
B	--	Yes	240VAC 264VDC	3000RMS		P
C	--	Yes	15VDC	840RMS		P
D	--	Yes	35VAC	1376RMS		P
E	--	Yes	35VAC	1376RMS		P
F	--	Yes	70VAC	1440RMS		P
G1/2	--	Yes	150VAC	2700RMS		P
G3/G4	--	Yes	100VAC	1440RMS		P
H1 (CR1/CR2)	--	Yes	300VAC	2700RMS		P
H2 (CR1/CR2) to (CR3/CR4)	--	Yes	150VAC	3000RMS		P
H3 (CR3/CR4)	--	Yes	200VAC	1440RMS		P
I (Output 1/2 to CR3/CR4)	--	Yes	100VAC	1440RMS		P
I (Output 1/2 to CR1/CR2)	--	Yes	150VAC	2700RMS		P
J (CR3/CR4 to standoff)	--	Yes	100VAC	1440RMS		P



IEC 61010-1			
Clause	Requirement – Test	Result – Remark	Verdict

6.8	TABLE: Dielectric strength tests					Form A.18	P
J (CR1/CR2 to standoff)	--	Yes	150VAC	2700RMS			P
K	--	Yes	1500VDC	25kVDC			P
L	--	Yes	240VAC	1500RMS			P
¹ Record the fault, test or treatment applied before the dielectric strength test. ² Humidity preconditioning required. NOTE: Test duration may be recorded.							
Supplementary information:							