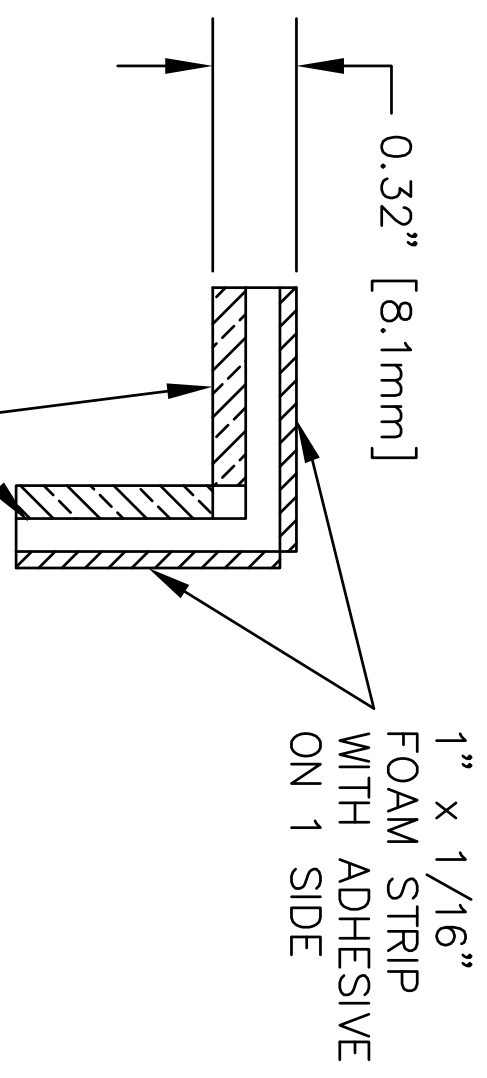
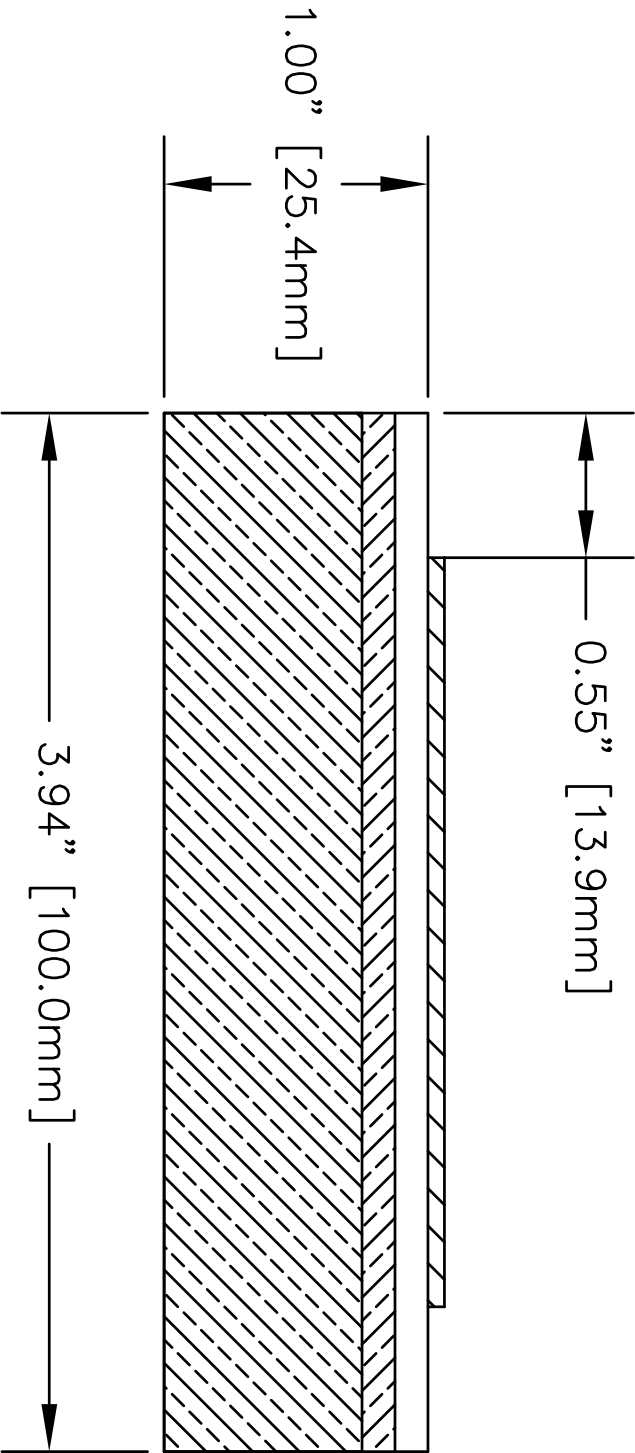


- NOTE:
- 1) DIMENSIONS SHOWN IN INCHES [mm] EXCEPT AS NOTED.
  - 2) CUT FOAM STRIPS TO LENGTH OF 2.85"
  - 3.) THIS ASSEMBLY USED TO MOUNT LKAT2 HEADS WITH BUS BAR DIMENSION P1 AND P2 > 67mm.

MATERIALS DATA			
ITEM	DESCRIPTION	WORKING TEMP (MAX.)	FLAMMABILITY
ANGLE	GPO-3	130°C	UL94 V0
FOAM	FOAM	93°C	UL94 HF1
ADHESIVE	ADHESIVE	82°C	NOT SPECIFIED

REVISION		DRN./DATE	CK/S./DATE	THIS DRAWING AND ALL INFORMATION CONTAINED HEREIN, IS THE PROPERTY OF Dynamp, LLC, AND MAY NOT BE COPIED, REPRODUCED NOR DIVULGED TO UNAUTHORIZED PERSONS WITHOUT THE EXPRESS WRITTEN CONSENT OF Dynamp LLC. IT IS PROVIDED SOLELY FOR THE CONVENIENCE OF THE USER AND SHALL BE RETURNED UPON REQUEST.
SWM	A	E-3325: ADD NOTE 3.); ADD DIMENSIONS FOR MOUNTING	RAM 10-23-18	
B/M NO.(REF.) 046039				
FINISH				
MATE				
TOL. UNLESS OTHERWISE NOTED				
DO NOT SCALE PRINT				
TITILE				
ASSEMBLY - LKAT2				
100mm MOUNTING ANGLE				
DYNAMP, LLC GROVE CITY, OHIO				
JOB				
DWG. NO. 84B109355				
REV. A				



NOTE:  
 1) DIMENSIONS SHOWN IN INCHES [mm] EXCEPT AS NOTED.  
 2) CUT 1" x 1/16" FOAM STRIPS TO LENGTH OF 2.85"  
 3) CUT 3/4" x 1/8" FOAM STRIPS TO LENGTH OF 3.94" (100mm).

3/4" x 1/8"  
 FOAM STRIP  
 WITH ADHESIVE  
 ON 2 SIDES  
 (DO NOT REMOVE  
 BACKING FROM  
 EXPOSED SIDE)

4.) THIS ASSEMBLY USED TO MOUNT LKAT2 HEADS WITH NOMINAL SIZE N1 AND / OR N2 = 60mm AND BUS BAR DIMENSION P1 AND / OR P2 > 40mm.

5.) THIS ASSEMBLY ALSO USED TO MOUNT LKAT2 HEADS WITH EITHER NOMINAL SIZE N1 OR N2 = 90mm AND BUS BAR DIMENSION 40mm < P1 AND / OR P2 < 67mm.

MATERIALS DATA		
ITEM	DESCRIPTION	WORKING TEMP. (MAX.)
ANGLE	GPO-3	130°C
FOAM	FOAM	93°C
ADHESIVE	ADHESIVE	82°C
		UL94 V0
		UL94 HF1
		NOT SPECIFIED

SYM.	REVISION	DRN./DATE	OK'S/DATE	
A	E-3325: ADD NOTE 4.) & 5.), ADD DIM. FOR MOUNTING	RJM 10-23-15		
THIS DRAWING AND ALL INFORMATION CONTAINED HEREIN, IS THE PROPERTY OF DYNAMP LLC, AND MAY NOT BE COPIED, REPRODUCED OR DIVULGED TO UNAUTHORIZED PERSONS WITHOUT THE EXPRESS WRITTEN CONSENT OF DYNAMP LLC. IT IS PROVIDED SOLELY FOR THE CONVENIENCE OF THE USER AND SHALL BE RETURNED UPON REQUEST.				
B/AI NO.(REF.)	046496	THIRD ANGLE PROJECTION	DO NOT SCALE PRINT	
FINISH		TOL. UNLESS OTHERWISE NOTED	DEC. ±.015	SCALE
MATL.		DEC. ±.015	ANG. ±.1"	
		DRN./DATE	9/19/14	SCALE
		RJM	9/19/14	N/A
		OK'D/DATE	9/19/14	APV./DATE
		DEC	9/19/14	CSS
			9/19/15	
TITLE		JOB		
ASSEMBLY - LKAT2		1" x 1" x 1/8" MOUNTING ANGLE		
DYNAMP, LLC		DWS. NO.		
GROVE CITY, OHIO		84B109420		
REV.		A		

