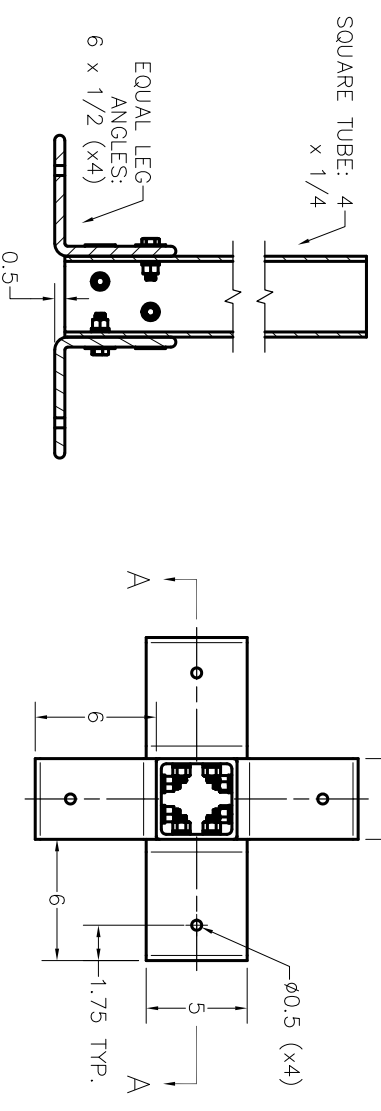


ENSURE ALL LEGS ARE ON SAME PLANE

SECTION A-A



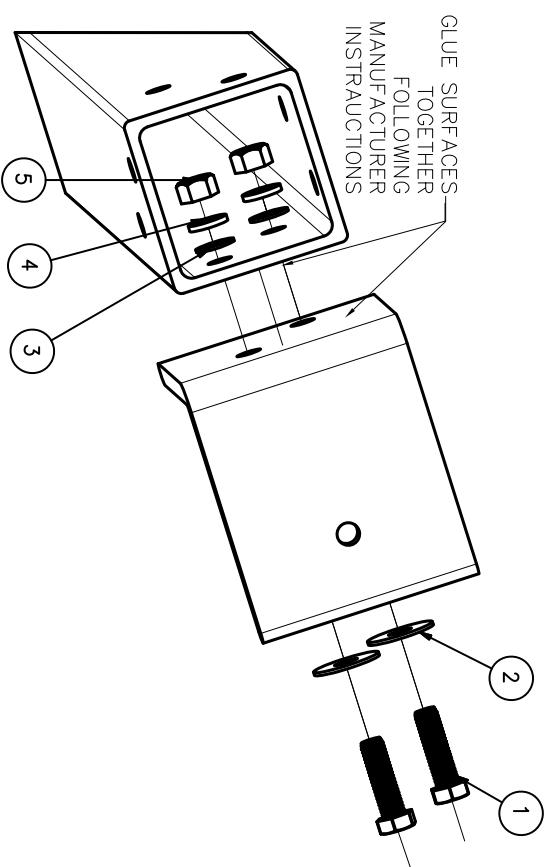
NOTES:

- 1- MATERIAL: EXTREN 525 GREY COLOR (4x1/4 SQUARE TUBE AND 6x1/2 EQUAL LEG ANGLE)
- 2- SEAL ALL CUT EDGES AND DRILLED HOLES PER MANUFACTURER RECOMMENDATIONS FOR OUTDOOR ENVIRONMENT.
- 3- ROUND ALL SHARP CORNERS.
- 4- ALL DIMENSIONS ARE IN INCHES, UNLESS NOTED OTHERWISE

SYMBOL	REVISION	DRN./DATE	CHK./DATE	B/M NO.(REF.)	THIRD ANGLE PROJECTION	DO NOT SCALE PRINT	TITLE															
A	TOTAL HEIGHT: WAS 74.5, IS 82"; ADDED 1x 0.25" HOLE AND 4x .39"HOLES AS INDICATED	FEM/4-5-12	DE0/4-11-12		<table border="1"> <tr> <td>TOL. UNLESS OTHERWISE NOTED</td> <td>SCALE</td> </tr> <tr> <td>DEC. ±.015</td> <td>ANG. ±1"</td> </tr> </table>	TOL. UNLESS OTHERWISE NOTED	SCALE	DEC. ±.015	ANG. ±1"	<table border="1"> <tr> <td>DRN./DATE</td> <td>SCALE</td> </tr> <tr> <td>FEM/12-4-08</td> <td>NA</td> </tr> </table>	DRN./DATE	SCALE	FEM/12-4-08	NA	<table border="1"> <tr> <td>APV./DATE</td> <td></td> </tr> <tr> <td></td> <td></td> </tr> </table>	APV./DATE				<table border="1"> <tr> <td>008</td> <td></td> </tr> </table>	008	
TOL. UNLESS OTHERWISE NOTED	SCALE																					
DEC. ±.015	ANG. ±1"																					
DRN./DATE	SCALE																					
FEM/12-4-08	NA																					
APV./DATE																						
008																						
<p>THIS DRAWING AND ALL INFORMATION CONTAINED HEREIN, IS THE PROPERTY OF DYNAMP LLC, AND MAY NOT BE COPIED, REPRODUCED NOR DIVULGED TO UNAUTHORIZED PERSONS WITHOUT THE EXPRESS WRITTEN CONSENT OF DYNAMP LLC. IT IS PROVIDED SOLELY FOR THE CONVENIENCE OF THE USER AND SHALL BE RETURNED UPON REQUEST.</p>																						
<p>FINISH: FRP PEDESTAL</p>																						
<p>MATL: SEE NOTES</p>																						
<p>SEE NOTES</p>																						
<p>DWG. NO. SHEET 1 of 2 REV. 89C045229 A</p>																						



GROVE CITY, OHIO  
 COLUMN - LKCO  
 FRP PEDESTAL



FOOT ASSEMBLY  
DETAIL

ITEM	QTY	PART	DESCRIPTION
1	8	BOLT	18-8 STAINLESS STEEL FULLY THREADED HEX HEAD CAP SCREW 1/2"-13 THREAD, 1-3/4" LENGTH
2	8	WASHER - FENDER	18-8 STAINLESS STEEL LARGE-OD FLAT WASHER 1/2" SCREW SZ, 17/32" ID, 1-1/2" OD
3	8	WASHER - FLAT	18-8 STAINLESS STEEL AN 960 FLAT WASHER 1/2" SZ, NO. C816, .515" ID, .875"
4	8	WASHER - Split	18-8 STAINLESS STEEL SPRING LOCK WASHER 1/2" SCREW SZ, .512" ID, .869" OD, .125" MIN THICK
5	8	NUT	18-8 STAINLESS STEEL HEX NUT 1/2"-13 THREAD SIZE, 3/4" WIDTH, 7/16" HEIGHT

HARDWARE LIST

<p>THIS DRAWING AND ALL INFORMATION CONTAINED HEREIN, IS THE PROPERTY OF DYNAMP LLC, AND MAY NOT BE COPIED, REPRODUCED NOR DIVULGED TO UNAUTHORIZED PERSONS WITHOUT THE EXPRESS WRITTEN CONSENT OF DYNAMP LLC. IT IS PROVIDED SOLELY FOR THE CONVENIENCE OF THE USER AND SHALL BE RETURNED UPON REQUEST.</p>	
<p>THIRD ANGLE PROJECTION</p>	
<p>SCALE</p>	<p>TITLE</p> <p>COLUMN - LKCO FRP PEDESTAL</p>
<p>SHEET NO.</p> <p>2 of 2</p>	<p>DWG. NO.</p> <p>89C045229</p>
	<p>REV.</p> <p>A</p>

GROVE CITY,  
OHIO