



DynAmp

20mA Signal Totalizer (Including Shunt Module)



Description

The DynAmp Signal Totalizer family is designed to sum together the signal(s) from 20mA loop outputs, or to remotely terminate a single 20mA loop.

The Shunt Module is a single channel, bidirectional unit used to remotely terminate a 20mA loop.

Each totalizer is a passive device with mA current inputs and a voltage output. The individual 20mA input signals are connected in parallel through a high-precision, temperature stable resistor. The summed output signal is the voltage drop across the precision resistor.

Each totalizer is housed in a DIN rail mount enclosure. All terminal blocks are finger-safe (IP20 rated). The output is custom-scaled to a customer-specified voltage for a given input. The recommended maximum output voltage is 1Volt full-scale. An isolator may be used with the module to provide additional output options.

Application

The 20mA Signal Totalizer module is typically used to combine individual 20mA loop measurements from parallel power rectifier metering to provide a signal proportional to total line current. The totalized signal may be compared to main line metering of the process line of interest.

Specifications

Input

Signal Input 0 ... 20mA per Channel

Output

Signal Output 1 & 2 0 ... 1V (or customer specified full-scale value)

Storage Temperature -40 to +70°C (-40 to 158°F)
Storage Humidity 85%, non-condensing

General Specifications:

Overall Accuracy: Better than 0.1%
Power Dissipation: < 1 W (typical)

Environmental / Physical :

Temperature Coefficient: 10 ppm / °C (max)
Working Temperature: -10 °C ... 70 °C

Dimensions:

Shunt Module	89" x 3.3" x 4.20" 22.5mm x 79.5mm x 106.7mm
2 Channel	89" x 3.3" x 4.20" 22.5mm x 79.5mm x 106.7mm
3 - 10 Channel	.1.57" x 3.3" x 4.20" 39.9mm x 79.5mm x 106.7mm
11 - 19 Channel	3.14" x 3.3" x 4.20" 79.8mm x 79.5mm x 106.7mm

Weight:

Shunt Module	0.3lb (154g)
2 Channel	0.3lb (154g)
10 Channel	0.5lb (257g)
19 Channel	1lb (513g)

Note :

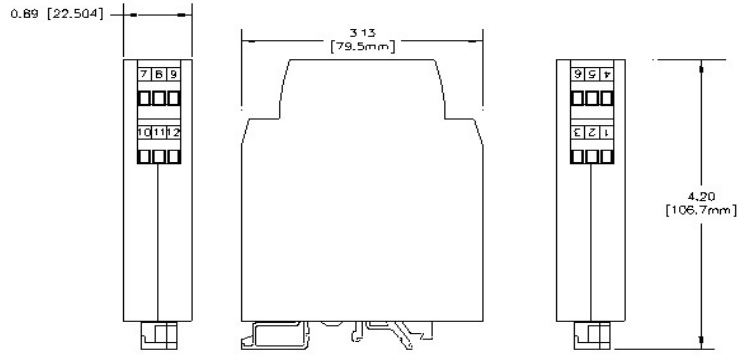
- ◆ Enclosure may be mounted on :
35mm x 7.5mm OR
"G" profile 32mm x 15mm DIN rail.
- ◆ 11 to 19 Channel Totalizer - Module half "A" is bonded to module half "B" with RTV adhesive.

Ordering Information

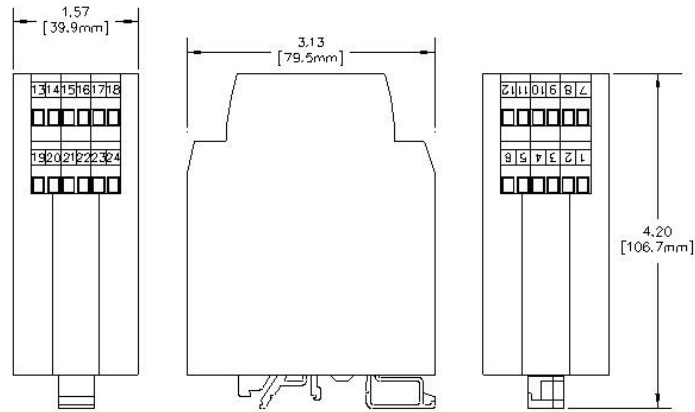
Complete configuration worksheet BEN084 and submit to DynAmp.



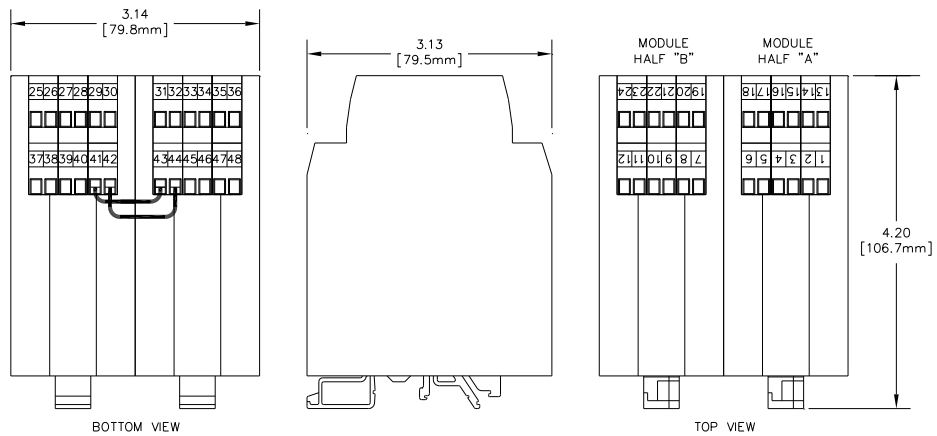
Signal Totalizer Module



2 CHANNEL TOTALIZER



10 CHANNEL TOTALIZER



20 CHANNEL TOTALIZER