



DynAmp

SI-27000

Bi-Directional Signal Converter



Description

The SI-27000 is a highly accurate, bi-directional signal converter that provides galvanic isolation and signal conversion for full scale input voltage ranges of 20mV to 200V and current ranges of 0.1mA to 100mA. Although the SI-27000 is preset by the factory for specified ranges, it can be rescaled in field via DIP switches.

The SI-27000 can provide standard full-scale output signals of 5V, 10V and 20mA but can also be specified to provide no-standard spans within the standard ranges. A universal power supply allows the SI-27000 to be powered by AC or DC mains from 20V to 250V.

Application

The SI-27000 can be used to safely isolate and convert process signals for use by measurement and control instrumentation and other peripheral equipment.

Specifications

Input

Unidirectional	
Voltage:	0 ... 20mV to 0 ... 200V
Current:	0 ... 0.1mA to 0 ... 100mA
	4 ... 20 mA
Bi-directional	
Voltage:	0 ... +/- 20mV to 0 ... +/- 200V
Current:	0 ... +/- 0.1mA to 0 ... +/- 50mA
	4 ... 12 ... 20 mA
Special Input Ranges:	Consult Factory

Output

Unidirectional	
Voltage:	0 ... 140mV to 0 ... 10V
Current:	0 ... 0.6mA to 0 ... 20mA
	4 ... 20mA
Bi-directional	
Voltage:	0 ... +/- 70mV to 0 ... +/- 10V
Current:	0 ... +/- 0.6mA to 0 ... +/- 20mA
	4 ... 12 ... 20 mA
Special Output Ranges:	Consult Factory

General Specifications:

Overall Accuracy:	±0.1%
Offset Error:	20µA / 10mV
Frequency Bandwidth:	10kHz, Optional 10Hz.
Load	
Voltage:	≤10mA (1kΩ @ 10V)
Current:	≤12V (600Ω @ 20mA)
Capacitive Loading:	≤1nF
Mains:	
Universal power supply	20 to 253 V, 48 to 62Hz or DC
Power requirements	
AC Mains:	2VA
DC Mains	0.9 W

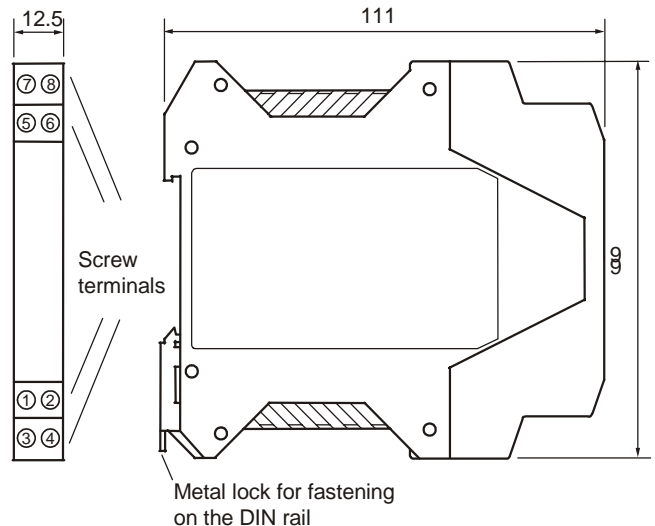
Standards:

Test Voltage:	5kV Input / Output 4kV Output / Power Supply
Basic Insulation:	1kV Cat. II, Pollution Degree 2 To EN 61010-1 Reinforced Insulation To EN 61010-1

Environmental / Physical:

Operating Temperature:	-10 ... 70°C
Storage Temperature:	-40 ... 85°C
Protection:	IP20
Weight:	Approx. 5.3 Oz. (150g)

Physical Configuration



Ordering Information

Complete configuration worksheet BEN086 and submit to DynAmp. Specify item number 44079.